

# Brass Accents Technical Specification

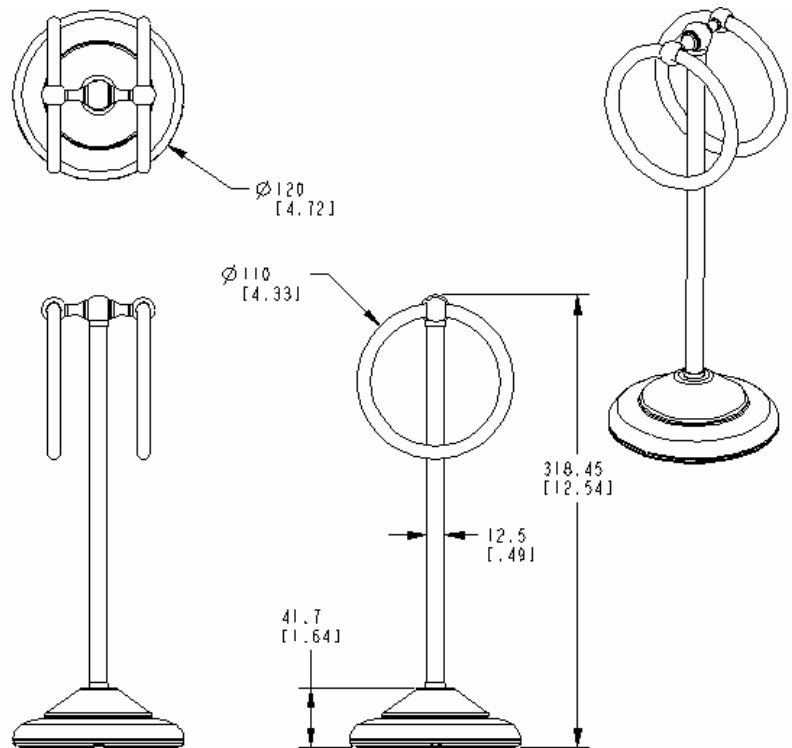
## Pedestal Double Towel Ring

351

### Stock Numbers:

- q **351CH – Pedestal Double Towel Ring**  
Chrome Finish
- q **351CB – Pedestal Double Towel Ring**  
Chrome / Polished Brass Finish
- q **351PB – Pedestal Double Towel Ring**  
Polished Brass Finish

### Dimensions:



### Materials:

Pedestal Double Towel Rings are constructed of brass.

### Installation Instructions:

No installation required.

### Cleaning Instructions:

To preserve the fine finish of this product, clean only with a soft damp cloth. Dry well. Do not use commercial or abrasive cleaners.

**Stock Number:** \_\_\_\_\_ Pedestal Double Towel Ring  
By Creative Specialties



25300 AL MOEN DRIVE • NORTH OLMS TED, OH 44070  
CORPORATE HEADQUARTERS: (800) 321-8809 • FAX: (800) 848-6636  
INTERNATIONAL: (440) 962-2000 • FAX: (440) 962-2726  
CUSTOMER SERVICE (USA): 800-882-0116 • FAX: (888) 379-2720  
©Copyright Creative Specialties International 2004